

DESCRIPTION

- Multilingual calendar, SMD LED technology for indoor installation.
- Hours, minutes, date, day and week display.
- Fixed or alternate data on central display: temperature (probe integrated in the clock), seconds, week number or day number
- Ability to alternately display the month and the day of the week in 2 languages.
- Height of digits 7 cm (letters 5cm), optimal viewing distance: 30 metres.
- Angle of vision: 120°.
- LED colours: red, green, yellow, blue and white.
- Models: independent, impulse, wireless DCF, wireless DHF, AFNOR and NTP.



STANDARDS

- CEM : EN55032 (2012), EN55024 (2010).
- LVD : EN60950 (2006), EN62311 (2008).
- RED (radio models) : EN330-2 (V2.1.1).

GENERAL FEATURES

- **Adjustable brightness**..... 4 levels.
- **Display mode**..... 12 or 24 hour.
- **Eco mode**..... Programmable energy saving or predefined over a time period.
- **Time change**..... Automatic summer/winter time changeover and perpetual calendar.
- **Time base backup**.....
 - Independent model: 15 days in case of power failure.
 - Impulse model: in case of power failure, data saving and impulses reception without battery.
 - Synchronised models: at each start the clocks wait for the synchronisation signal.
- **Time accuracy**..... 0.2 second/day (except NTP model: precision dependent on the time server).
- **Operation**..... Silent.
- **Digit**..... 7 segments with 4 LEDs each.
- **Hours and minutes separating**..... Colon made of LEDs.
- **Configuration**..... 2 capacitive buttons.
- **NTP model**.....
 - Synchronisation unicast, multicast and by DHCP.
 - Advanced configuration from the embedded web server.

MECHANICAL FEATURES

- **Construction**..... PC/ABS black (IP30, IK02) and PPMA Poly (methyl methacrylate) cristal.
- **Operating temperature range**..... -5 to +55°C.
- **Weight**..... 1.135 Kg.
- **Dimensions**..... See on the back.

ELECTRICAL FEATURES

- **Power supply**.....
 - Independent, impulse, AFNOR and wireless DHF models: 100-240VAC.
 - Wireless DCF model: 230VAC.
 - NTP model: PoE (Power over Ethernet) – class 0.
- **Consumption**..... 100-240 VAC ; 125-55 mA.
- **Electric protection**..... NTP model: Class 3.
Other Synchronisations: Class 2.

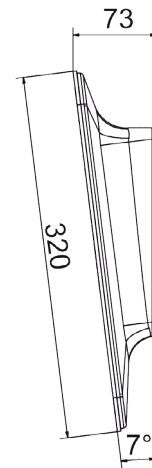
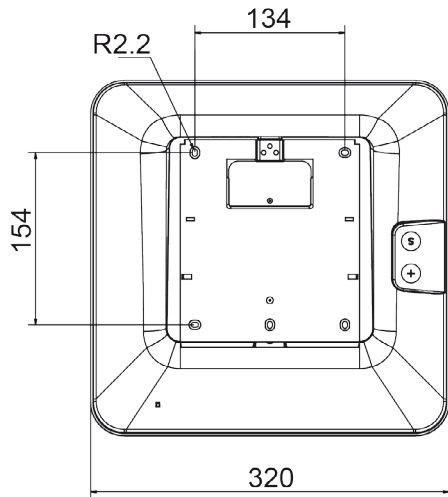
STYLE 7 DATE REFERENCES

- **946 61x**..... Independent model
 - **946 62x**..... Impulse model
 - **946 63x**..... DCF model
 - **946 64x**..... DHF model
 - **946 65x**..... AFNOR model
 - **946 67x**..... NTP model
 - **946 003**..... Mounting on hanging bracket
 - **946 004**..... Wall mounting
- Specify the LED colour by replacing the "x" in the reference number by: 1: red - 2: green - 3: yellow - 4: blue - 5: white



WALL MOUNTING

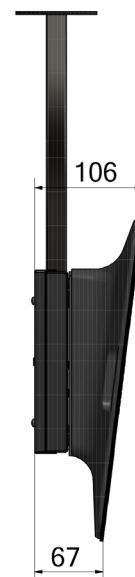
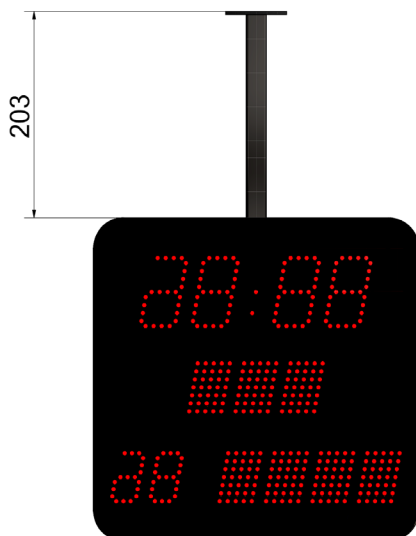
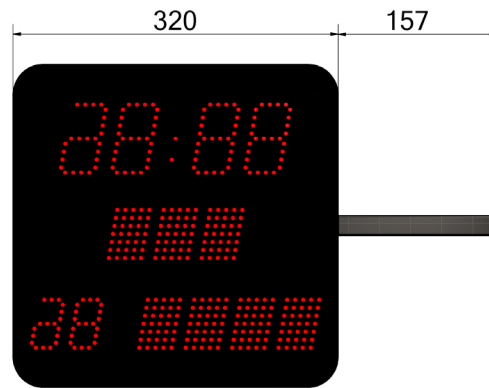
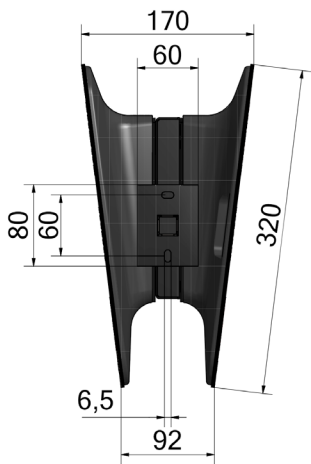
Dimensions in mm



MOUNTING ON HANGING BRACKET

- The hanging bracket makes possible to hang the clock from the ceiling or from the wall.
- Construction: Steel.
- Colour: Black.

Dimensions in mm



DESCRIPTION

- Style 7D recess mounting digital clock having the same electronics and the same operation than the normal version. However the mechanics are different to allow for recess mounting in a wall.
- LED colours: red.
- Models: independent, impulse, AFNOR and NTP.

RECESSED VERSION



GENERAL FEATURES

- Same as Style 7D normal version (see page 1).

MECHANICAL FEATURES

- **Construction**..... Black steel (IP30, IK02) and PPMA Poly (methyl methacrylate) cristal.
- **Operating temperature range**..... -5 to +55°C.
- **Weight**..... 1.570 kg (NTP: 1.530 kg).
- **Dimensions**..... See next page.

ELECTRICAL FEATURES

- Same as Style 7D normal version (see page 1).

REFERENCES STYLE RECESSED 7D (BY SYNCHRONISATION)

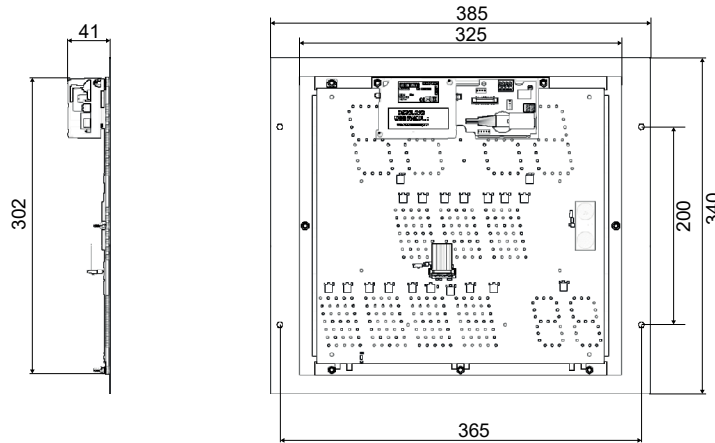
- **946 611 F**..... Independent model
- **946 621 F**..... Impulse model
- **946 641 F**..... DHF model*
- **946 651 F**..... AFNOR model
- **946 671 F**..... NTP model
- **946 016**..... Back cover for recess mounting

* Recess mounting is possible but not in metallic partition or equivalent which would perturb the reception of radio signal.

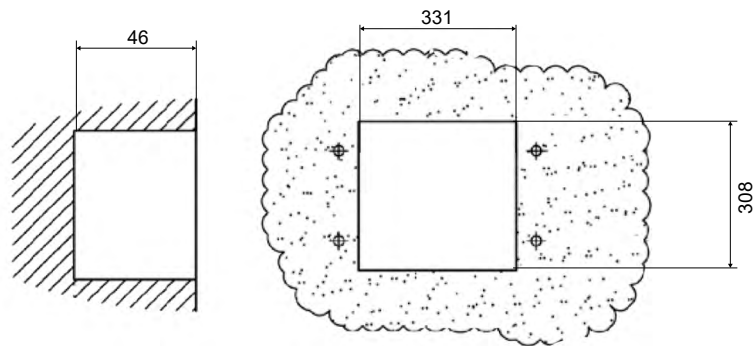
DIMENSIONS

Dimensions in mm

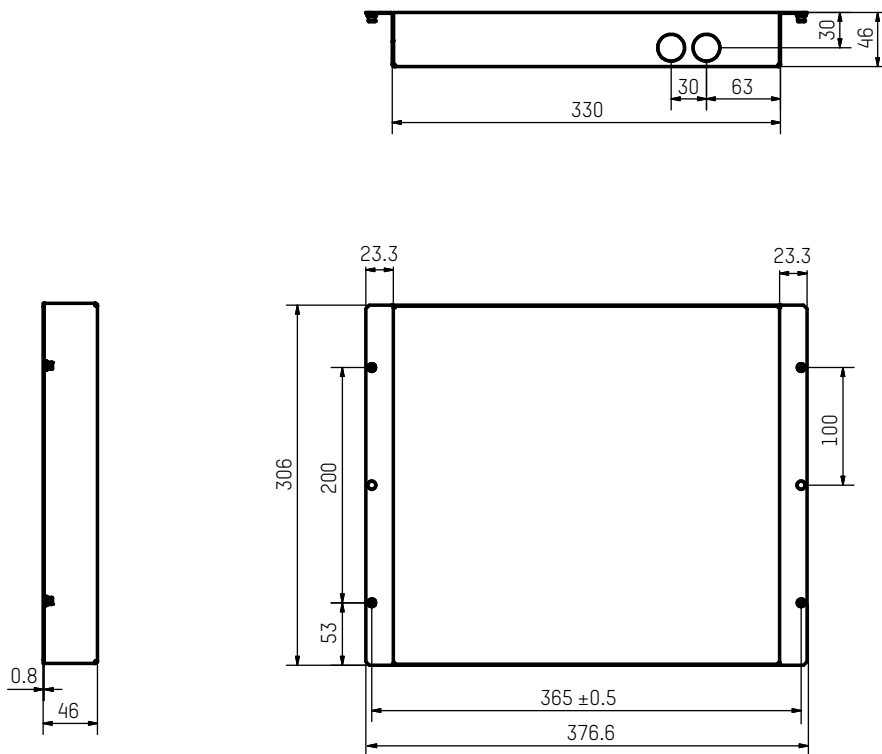
Clock



Size



Recess mounting



DESCRIPTION

- Style 7D waterproof digital clock having the same electronics and the same operation than the normal version. However the mechanics are different to allow for an IP55 Ingress protection rating.
- LED colours: red.
- Models: independent, impulse, DHF, AFNOR and NTP.

WATERPROOF VERSION



GENERAL FEATURES

- Same as Style 7D normal version (see page 1).

MECHANICAL FEATURES

- Same as Style 7D normal version (see page 1).
- In order to guarantee an IP55 Ingress Protection, the grommets are waterproof and silicon seals are installed between the bracket and the clock casing.

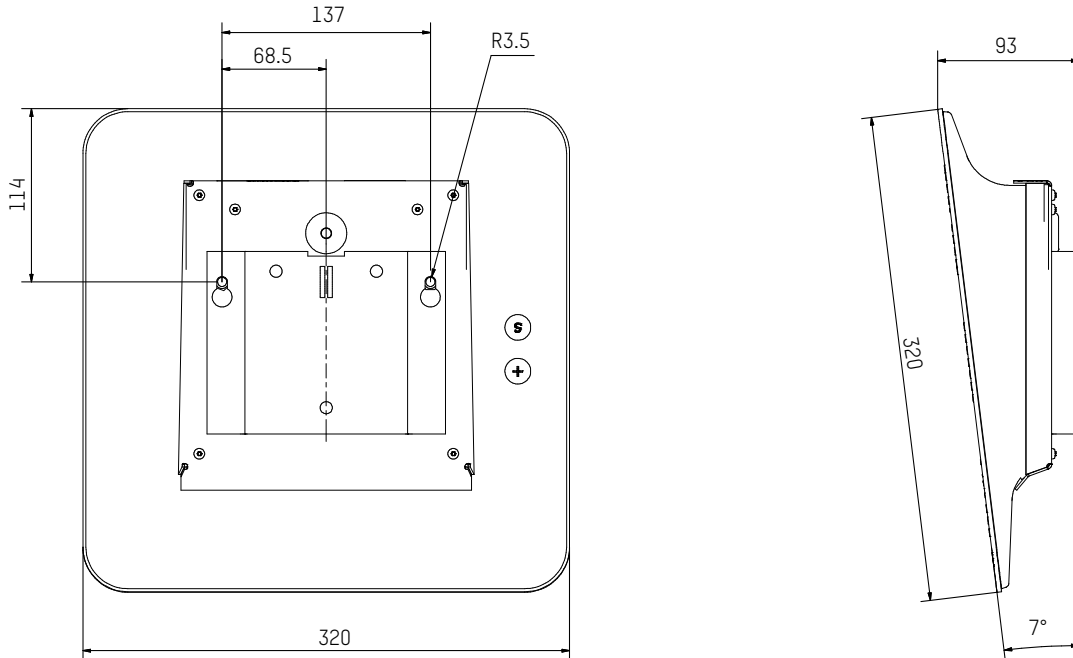
ELECTRICAL FEATURES

- Same as Style 7D normal version (see page 1).

DIMENSIONS

- Dimensions for wall mounting:

Dimensions in mm



REFERENCES STYLE 7D WATERPROOF (BY SYNCHRONISATION)

- 946 611 A..... Independent model
- 946 621 A..... Impulse model
- 946 641 A..... DHF model
- 946 651 A..... AFNOR model
- 946 671 A..... NTP model

