

DESCRIPTION

- SMD LED technology for indoor installation.
- Hours, minutes and seconds display.
- Fixed or alternate time with date or week number display or timer display or chronometer display (optional chronometer keyboard).
- Height of digits 5 cm, optimal viewing distance: 20 metres.
- Angle of vision: 120°.
- LED colours: red, green, yellow, blue and white.
- Models: independent, impulse, wireless DCF, wireless DHF, AFNOR and NTP.



STANDARDS

- EMC: - EN55032.
- EN55024.
- LVD: EN60950.
- RED (radio models): EN301-489-3.

GENERAL FEATURES

- **Adjustable brightness**..... 4 levels.
- **Display mode**..... 12 or 24 hour.
- **Eco mode**..... Programmable energy saving or predefined over a time period.
- **Time change**..... Automatic summer/winter time changeover and perpetual calendar.
- **Time base backup**..... - Independent model: 15 days in case of power failure.
- Impulse model: in case of power failure, data saving and impulses reception without battery.
- Synchronised models: at each start the clocks wait for the synchronisation signal.
- **Time accuracy**..... 0.2 second/day (except NTP model: precision dependent on the time server).
- **Operation**..... Silent.
- **Digit**..... 7 segments with 3 LEDs each.
- **Hours and minutes separating**..... Colon made of LEDs.
- **Configuration**..... 2 capacitive buttons.
- **NTP model**..... - Synchronisation unicast, multicast and by DHCP.
- Advanced configuration from the embedded web server.

MECHANICAL FEATURES

- **Construction**..... PC/ABS black (IP30, IK02) and PPMA Poly (methyl methacrylate) cristal.
- **Operating temperature range**..... -5 to +55°C.
- **Weight**..... 0.49 Kg.
- **Dimensions**..... See on the back.

ELECTRICAL FEATURES

- **Power supply**..... - Independent, impulse, AFNOR and wireless DHF models: 100-240VAC.
- Wireless DCF model: 230VAC.
- NTP model: PoE (Power over Ethernet) – class 0.
- **Consumption max**..... 100-240 VAC ; 75-30 mA.
- **Electric protection**..... NTP model: Class 3.
Other Synchronisations: Class 2.

STYLE 55 REFERENCES (BY SYNCHRONISATION)

- 946 21x..... Independent model
- 946 22x..... Impulse model
- 946 23x..... DCF model
- 946 24x..... DHF model
- 946 25x..... AFNOR model
- 946 27x..... NTP model
- 946 001..... Mounting on hanging bracket
- 946 002..... Wall mounting

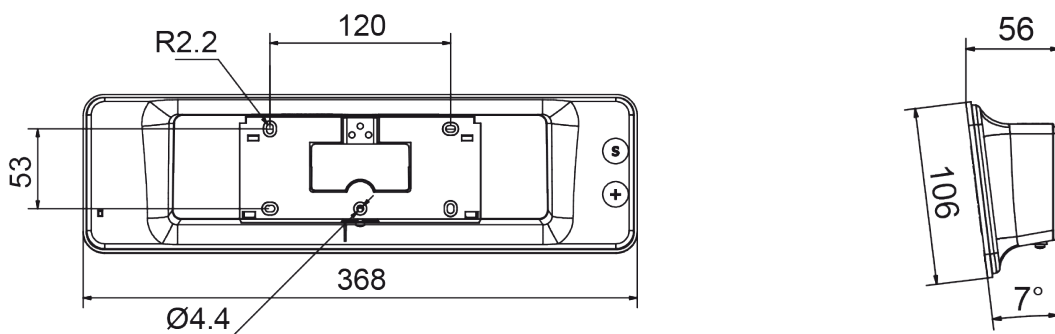


• Specify the LED colour by replacing the "x" in the reference number by: 1: red - 2: green - 3: yellow - 4: blue - 5: white



WALL MOUNTING

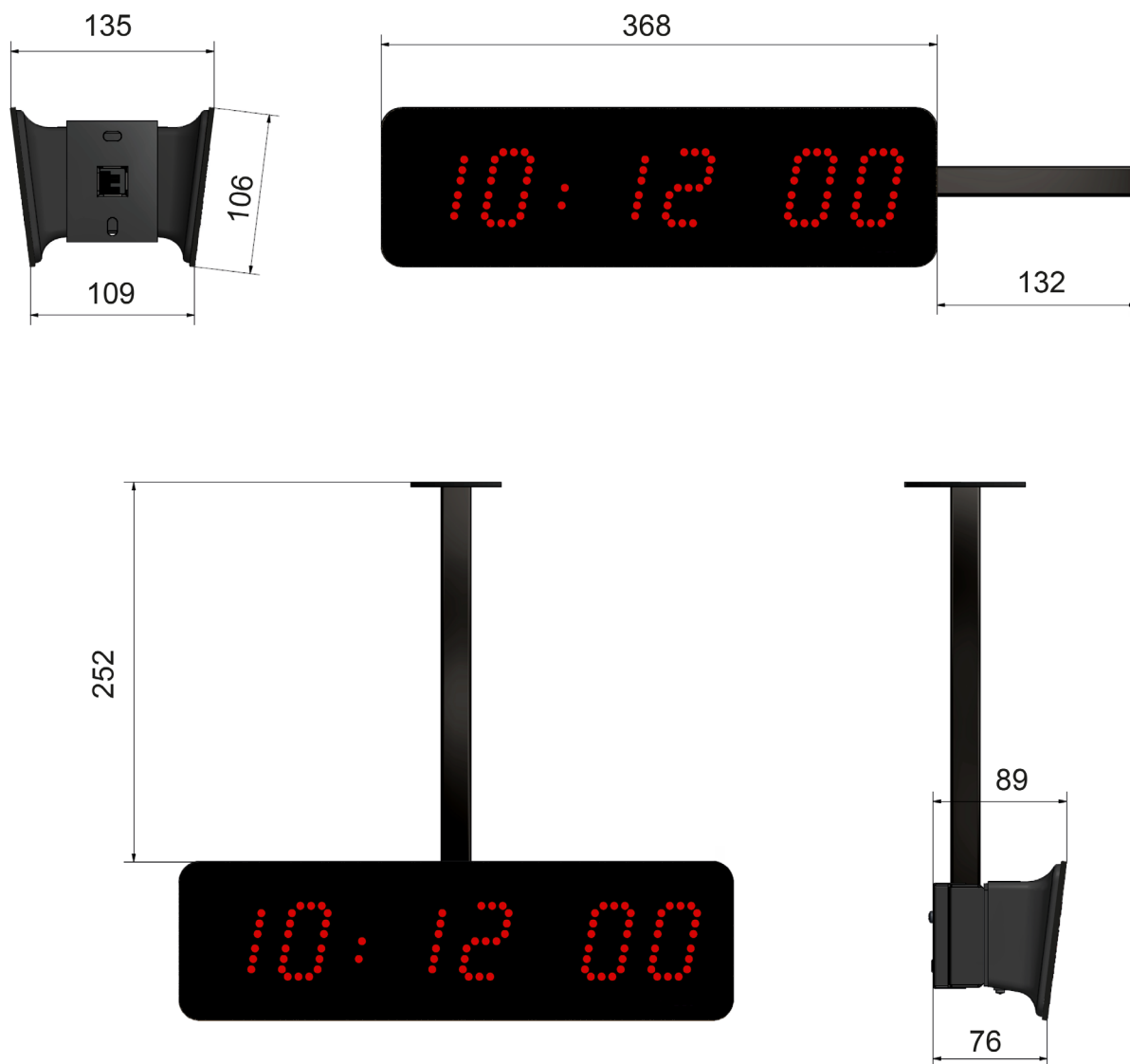
Dimensions in mm



MOUNTING ON HANGING BRACKET

Dimensions in mm

- The hanging bracket makes possible to hang the clock from the ceiling or from the wall.
- Construction: Steel.
- Colour: Black.



Réf.: 643M716 07/17

DESCRIPTION

- Style 5S recess mounting digital clock having the same electronics and the same operation than the normal version. However the mechanics are different to allow for recess mounting in a wall.
- LED colours: red.
- Models: independent, impulse, AFNOR and NTP.

RECESSED VERSION



GENERAL FEATURES

- Same as Style 5S normal version (see page 1)

MECHANICAL FEATURES

- **Construction**..... Black steel (IP30, IK02) and PPMA Poly (methyl methacrylate) cristal.
- **Operating temperature range**..... 0 to +50°C.
- **Weight**..... 0.860 kg (NTP : 0.835 kg).
- **Dimensions**..... See next page.

ELECTRICAL FEATURES

- Same as Style 5S normal version (see page 1)

REFERENCES STYLE RECESSED 5S (BY SYNCHRONISATION)

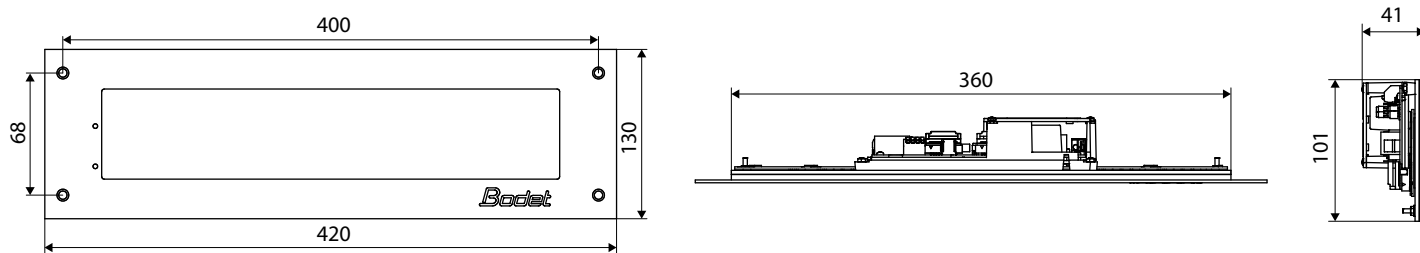
- **946 211 F**..... Independent model
- **946 221 F**..... Impulse model
- **946 241 F**..... DHF model*
- **946 251 F**..... AFNOR model
- **946 271 F**..... NTP model
- **946 012**..... Back cover for recess mounting

* Recess mounting is possible but not in metallic partition or equivalent which would perturb the reception of radio signal.

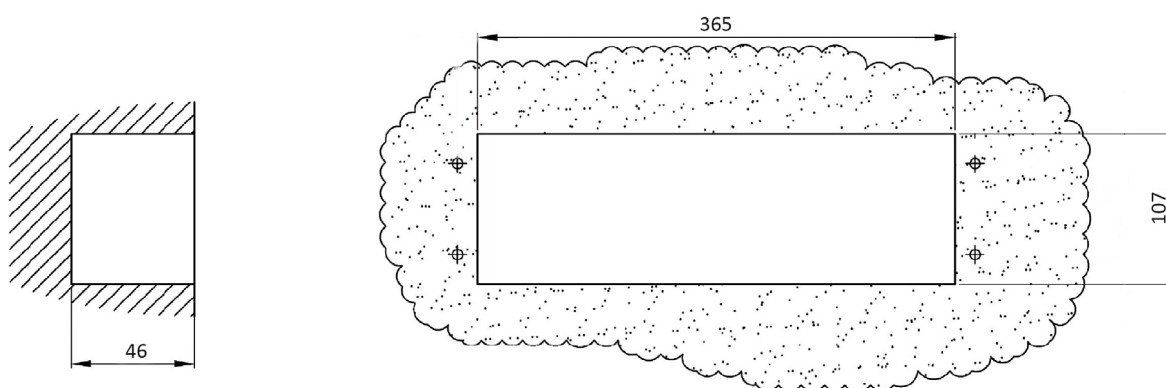
DIMENSIONS

Dimensions in mm

Clock



Size



Recess mounting

