

DESCRIPTION

- Outdoor clock (IP55) with analogue display.
- Hour-Minute-Second display.
- LED backlight
- The clocks have been designed in partnership with the design office of the French railways.
- Models: serial ½ minute receiver with or without servo controlled second hand, 24V minute receiver and IRIG-B/AFNOR coded time receiver.



STANDARDS

- Standard EN 50082-1: electromagnetic compatibility.
- Standard EN 55022 class B: Information Technology Equipment– Radio disturbance characteristics.
- Standard EN 60950: Information Technology Equipment - Safety.

TECHNICAL FEATURES

	Diameter	Weight	Consumption
Profil TGV 950	50 cm	8 kg	12 W
Profil TGV 970	70 cm	14 kg	15 W

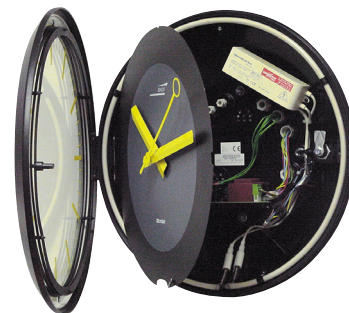
MECHANICAL FEATURES

- **Construction**..... Black reinforced thermoformed polyurethane casing.
- **Glass**..... « Securit » glass or shockproof polycarbonate protective crystal.
- **Clock colors**.....
 - Black casing RAL9005.
 - Hands and marking: yellow RAL1016.
 - background of the dial: grey RAL7015.
- **Power supply**..... 230V 50Hz ±10%.
- **Operating temperature**..... -25°C to +70°C.
- **Protection index**..... IP 53
- **Mechanical impact resistance**..... IK 08

Double-sided Profil TGV 970



Hinged opening
Profil TGV 950/970



REFERENCES

TGV 950	TGV 970	
931 684	931 664	AFNOR receiver
931 689	931 669	½ minute serial receiver

Back view Profil TGV



Profil TGV 950



Profil TGV 970

Réf.: 643231C 04/17



MOVEMENTS AND SYNCHRONISATION

• IRIG-B/AFNOR coded time receiver

The coded time distribution consists in transmitting a complete time message every second: the setting on time of the receivers is realised automatically and immediately after connection to the clock line.

The IRIG-B/AFNOR coded time does not transmit interference and is insensitive to other electrical interference.

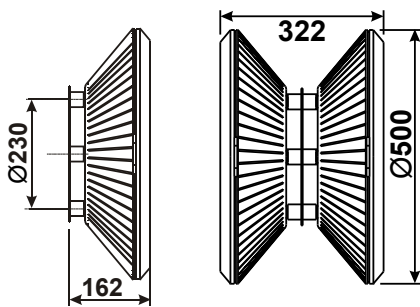
• Receiver 1/2 minute serial impulses

The receiver clocks are connected to a distribution line and activated by means of electrical impulses transmitted every ½ minute by the master clock.

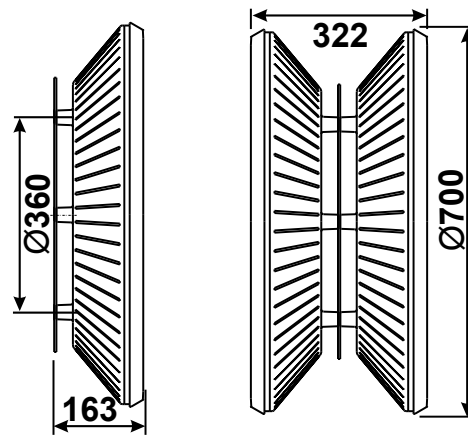
• Servo controlled second hand

On the Profil TGV 950/970, the second hand is servo controlled which means that it is driven by a motor different than the one of the movement. The synchronisation of the second hand is done at each minute change.

Profil TGV 950



Profil TGV 970



SUPPORTS OF CLOCKS

- 931 691..... ❶ Disc for telescopic hanging bracket SF/DF (950)
- 931 692..... ❸ Telescopic hanging bracket for disc mounting ❶ (950)
- 931 604..... ❷ Single-sided wall mounting disc (970)
- ❸ Hanging bracket for single-sided or double-sided mounting (970)
- 931 670..... Length 30 cm
- 931 671..... Length 40 cm
- 931 672..... Length 50 cm
- 931 673..... Length 70 cm

Dimensions in mm

Mounting disc
for Profil TGV
950/970

